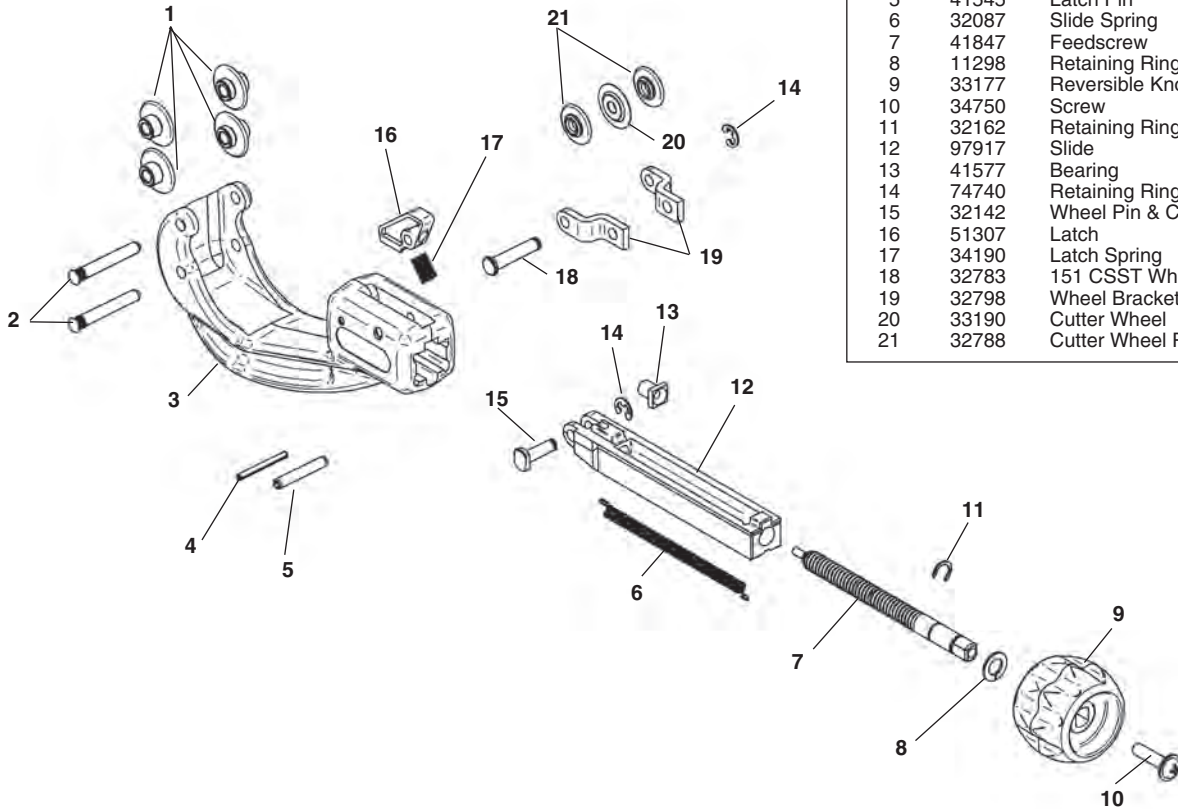


## 151 CSST Pipe Cutter

**NOTE: Order parts by Catalog Number only.  
DO NOT order by Reference Number.**



Ref. No.	Catalog No.	Description
1	32793	Top Pipe Roller (4)
2	97927	Roller Pin (2)
3	97942	151 CSST Frame
4	33122	Stop Pin
5	41545	Latch Pin
6	32087	Slide Spring
7	41847	Feedscrew
8	11298	Retaining Ring
9	33177	Reversible Knob
10	34750	Screw
11	32162	Retaining Ring
12	97917	Slide
13	41577	Bearing
14	74740	Retaining Ring (2)
15	32142	Wheel Pin & Clip
16	51307	Latch
17	34190	Latch Spring
18	32783	151 CSST Wheel Pin
19	32798	Wheel Bracket (2)
20	33190	Cutter Wheel
21	32788	Cutter Wheel Roller (2)

## PC-1375 Plastic Pipe Cutter

Ref. No.	Catalog No.	Description
1	25538	R.H. Handle
2	25543	Latch Assembly
3	25548	Screws (3)
4	25563	L.H. Handle
5	25568	Screws (3)
6	25553	Retaining Rings (3)
7	25573	Lower Handle
8	25578	Handle Pin
9	25583	Blade Pin
10	25588	Blade
11	25598	Roller & Pin
12	25593	Spring

